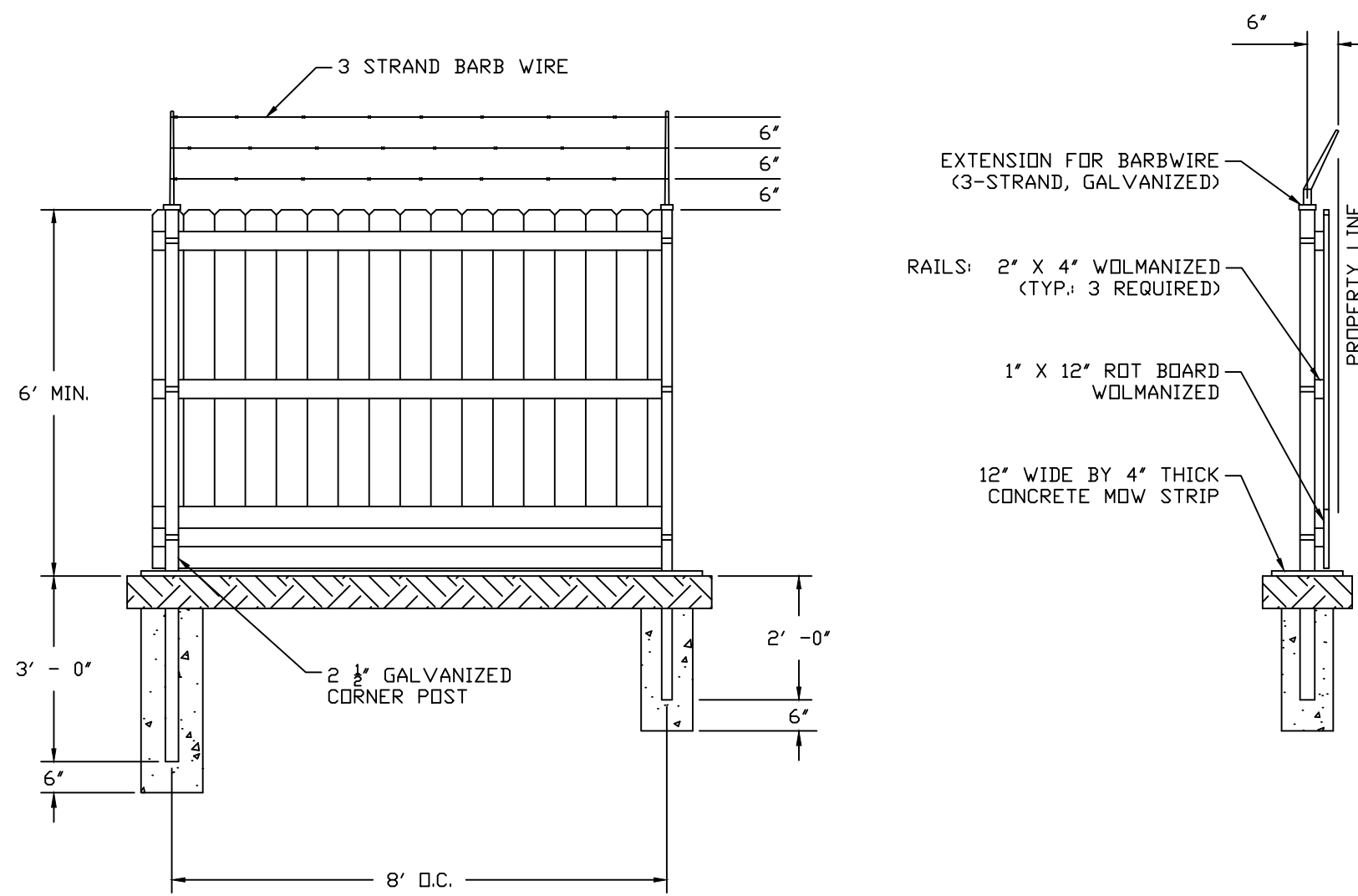
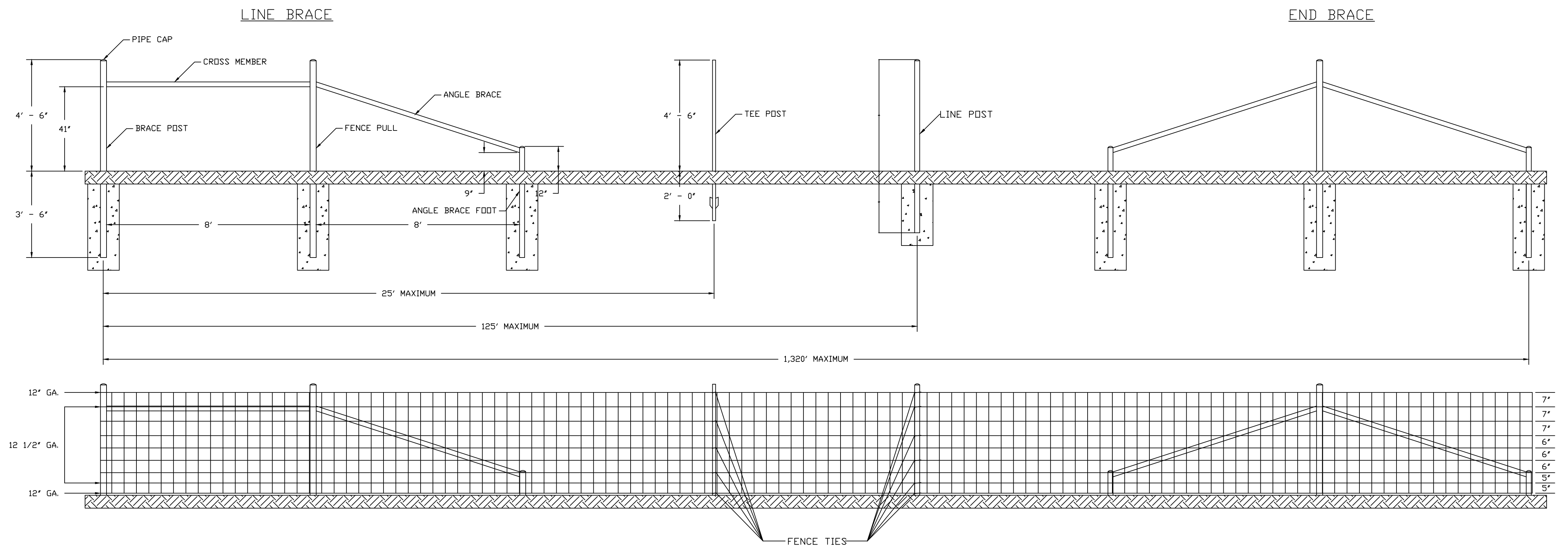


CHAIN LINK FENCE
N. T. S.



WOOD SLAT FENCE
N. T. S.



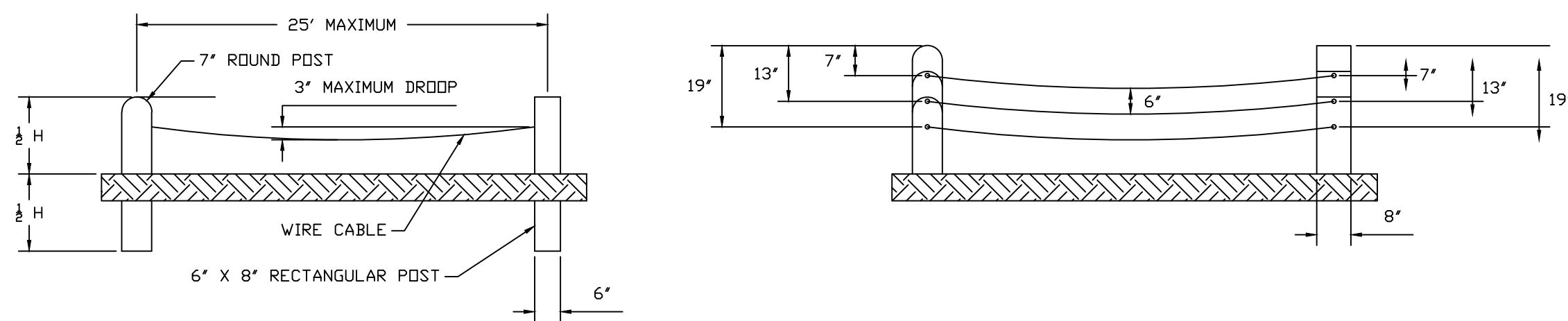
END BRACE MATERIALS	
ITEM	DESCRIPTION
BRACE POST	8' X 2 7/8" SCHEDULE 40 GALVANIZED PIPE
FENCE PULL	8' X 2 7/8" SCHEDULE 40 GALVANIZED PIPE
CROSS MEMBER	8' X 2 3/8" SCHEDULE 40 GALVANIZED PIPE
ANGLE BRACE	9' X 2 3/8" SCHEDULE 40 GALVANIZED PIPE
ANGLE BRACE FOOT	4' - 6' X 2 7/8" SCHEDULE 40 GALVANIZED PIPE
PIPE CAPS	3 1/2" PIPE CAPS OR CONCRETE PLUGS

LINE & TEE POST MATERIALS	
ITEM	DESCRIPTION
TEE POST	6' - 6" 1.5 LBS/FT GALVANIZED OR PAINTED
LINE POST	7' X 2 3/8" SCHEDULE 40 GALVANIZED PIPE

LINE BRACE MATERIALS	
ITEM	DESCRIPTION
BRACE POST	8' X 2 7/8" SCHEDULE 40 GALVANIZED PIPE
CROSS MEMBER	8' X 2 3/8" SCHEDULE 40 GALVANIZED PIPE
ANGLE BRACE	9' X 2 3/8" SCHEDULE 40 GALVANIZED PIPE
ANGLE BRACE FOOT	4' - 6' X 2 7/8" SCHEDULE 40 GALVANIZED PIPE
PIPE CAPS	3 1/2" PIPE CAPS OR CONCRETE PLUGS

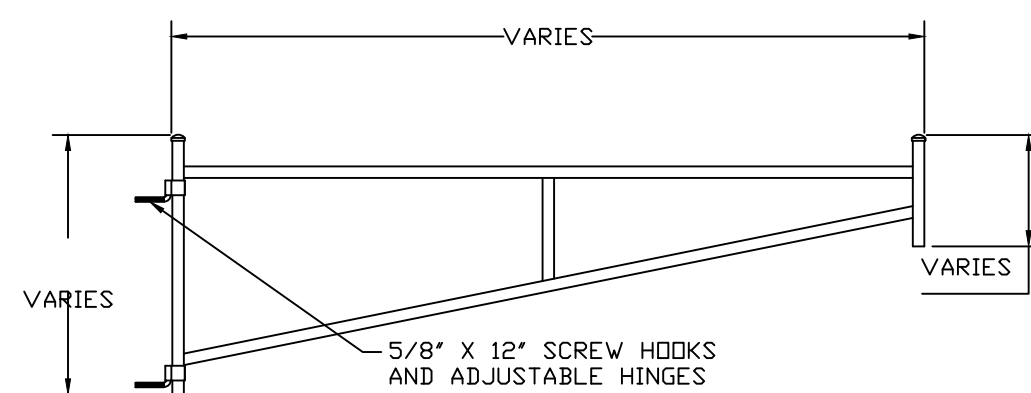
FIXED KNOT FABRIC FENCE
N. T. S.

- NOTES:
1. A LINE POST SHALL BE SET ON TOP OF ALL HIPS AND AT THE BOTTOM OF ALL DIPS.
 2. BRUSH ALL WELDS AND TREAT WITH COLD-GALV OR EQUIVALENT TO PREVENT RUST.
 3. TENSION FENCE BY PULLING TO CENTER OF PULL USING APPROVED STRETCHER BARS AND STRETCHER BAR PULLERS.
 4. FENCE SHALL GENERALLY FOLLOW NATURAL GROUND CONTOURS AND BOTTOM WIRE OF FENCE SHOULD BE NO MORE THAN TWO INCHES (2 IN) FROM NATURAL GROUND.



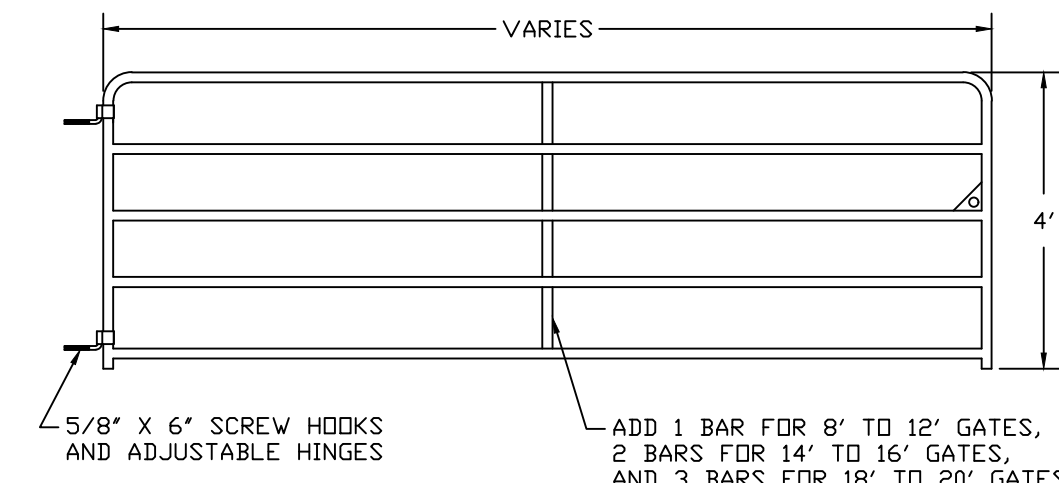
NUMBER OF WIRES	POST LENGTH	BURY DEPTH	WIRE HOLE LOCATIONS
1	6'	3'	7" FROM THE TOP
2	7'	3' - 6"	7" AND 13" FROM THE TOP
3	8'	4'	7", 13", AND 19" FROM THE TOP

WIRE ROPE BOUNDARY FENCE
N. T. S.



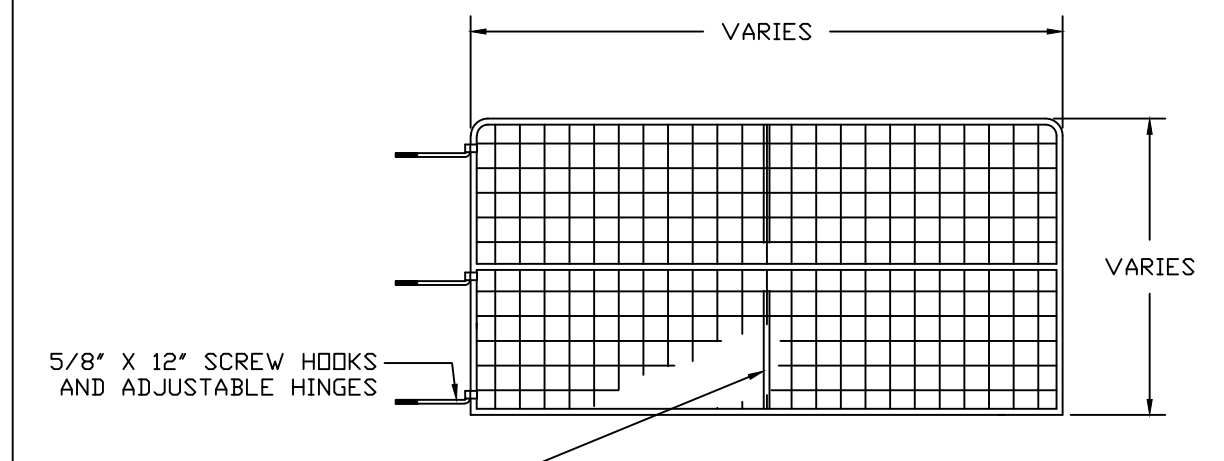
TUBULAR BARRIER GATE
N. T. S.

- NOTES:
1. BARS SHALL BE 1 7/8", 19 GAUGE GALVANIZED TUBING.



PASTURE TUBE GATE
N. T. S.

- NOTES:
1. BARS SHALL BE 1 5/8", 19 GAUGE GALVANIZED TUBING.
 2. BARS SHALL BE SADDLED AND FITTED BEFORE WELDING.



GAME PROOF GATE
N. T. S.

- NOTES:
1. BARS SHALL BE 1 5/8", 19 GAUGE GALVANIZED TUBING.
 2. BARS SHALL BE SADDLED AND FITTED BEFORE WELDING.
 3. 4' X 4' OPENING WIRE PANEL.

**FENCES AND GATES
STANDARD DETAILS**



**DEPARTMENT OF
ENGINEERING
& PROJECTS**

FILE NAME: FCSD - 2019.DWG
DATE APPROVED: JULY 1, 2017
SCALE: NTS
REVISED DATE: OCTOBER 2019

PROJECT NUMBER: DATE SUBMITTED: SHEET:
XX OF XX