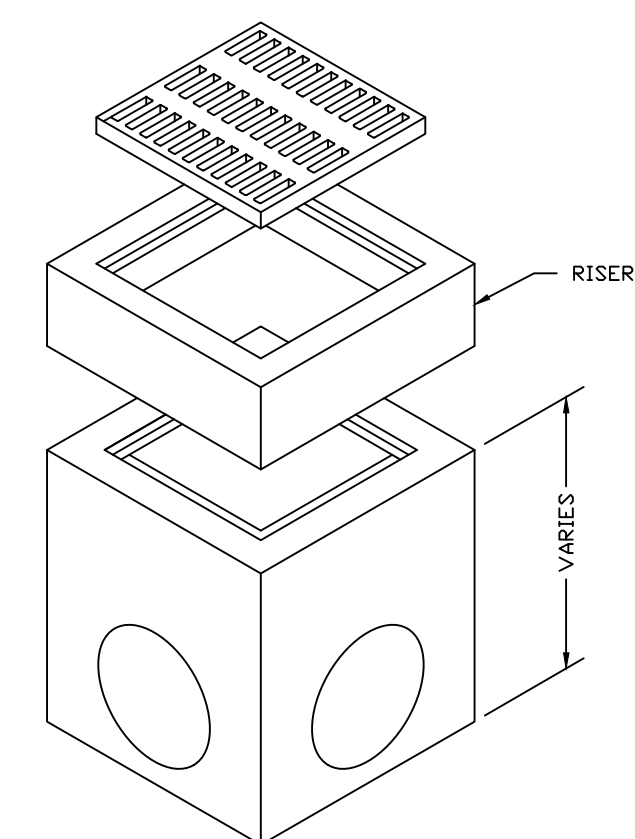
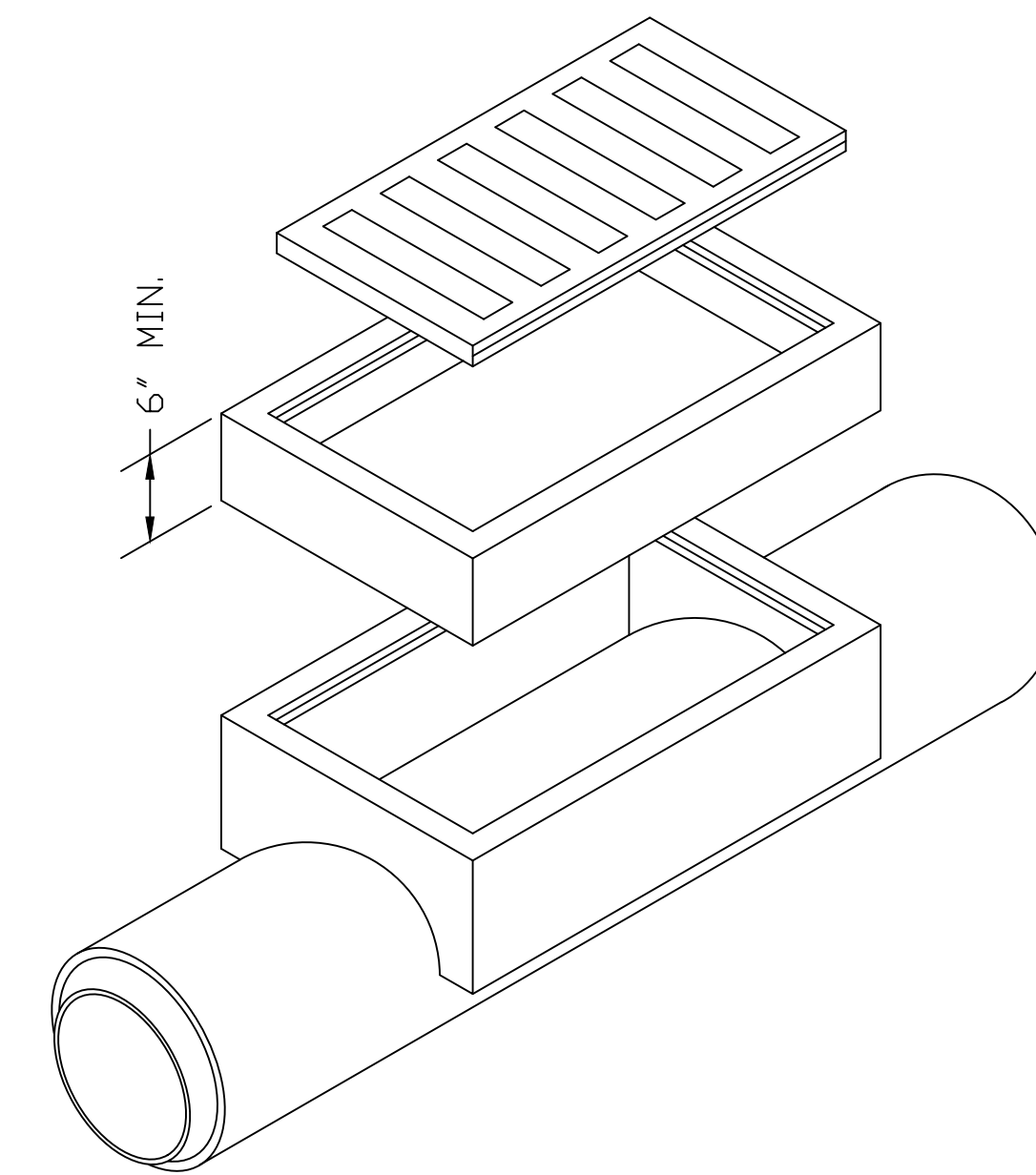
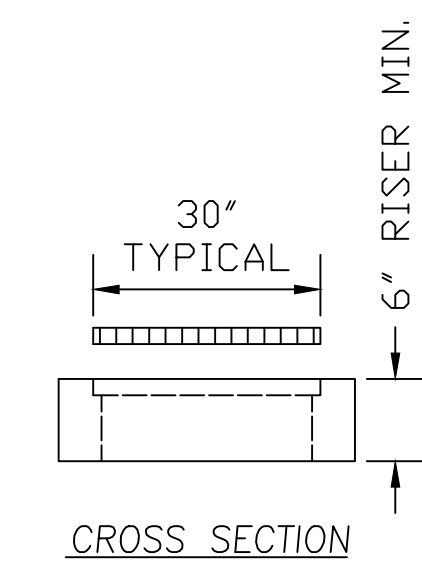
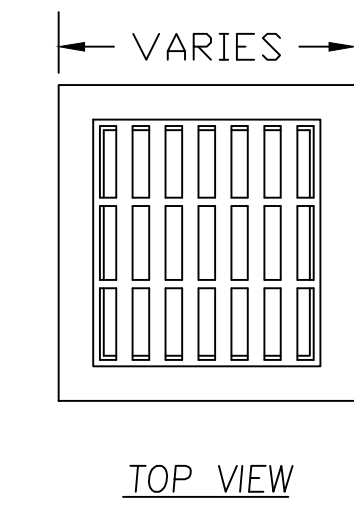
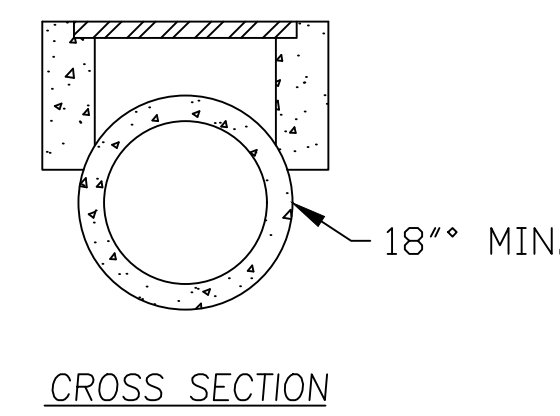
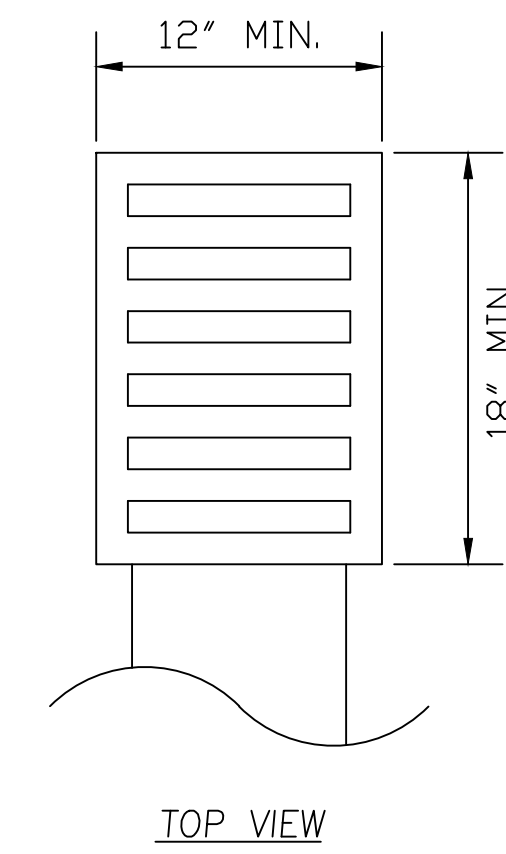


FILLING IN AN OPEN DITCH

NOTES:

1. MINIMUM LOT FRONTAGE SHALL BE ONE HUNDRED (100) FEET.
2. MINIMUM DISTANCE BETWEEN DRIVEWAYS SHALL BE FORTY-FIVE (45) FEET EDGE TO EDGE.



STORM SEWER STANDARD
DETAILS (CONTINUED)



DEPARTMENT OF
ENGINEERING
& PROJECTS

FILE NAME: SWSSD2 - 2019.DWG
DATE APPROVED: JULY 1, 2017
SCALE: NTS
REVISED DATE: OCTOBER 2019

PROJECT NUMBER: DATE SUBMITTED: SHEET: XX OF XX